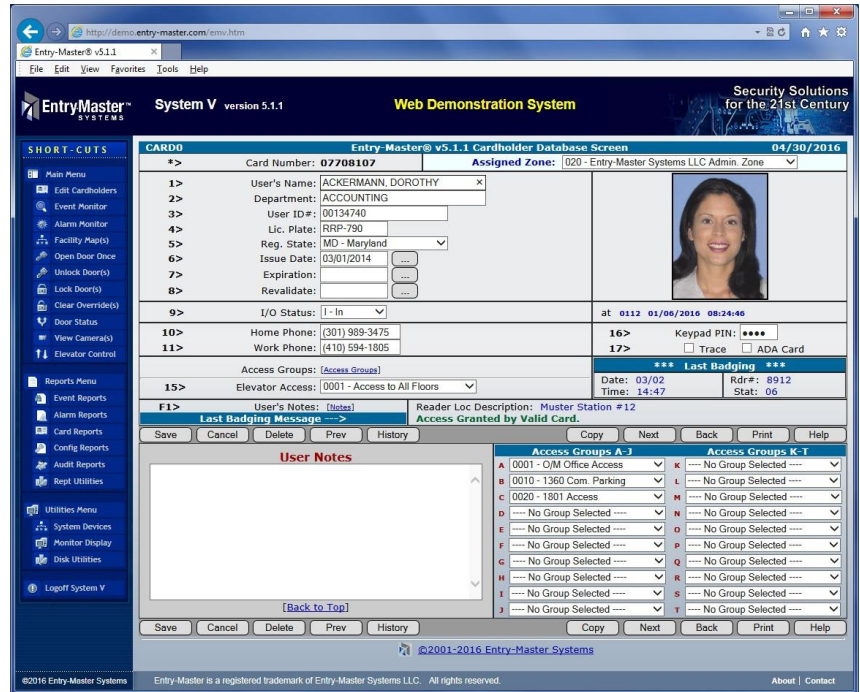


EMC-64 WEB-BASED CONTROLLER

The **EMC-64 Controller** is the backbone of the **Entry-Master System V** and card access system. The **EMC-64 Controller** can accommodate up to 64 card readers and 256 programmable analog or digital inputs. Unlike most systems, once an **Entry-Master** system is installed, it is easily scaled upwards to a larger platform with added functionality, and with no loss in the speed and reliability that has been the hallmark of the **Entry-Master** success story. The **EMC-64 Controller** can easily be expanded to over 5,000 card access readers, and also communicates via TCP/IP.



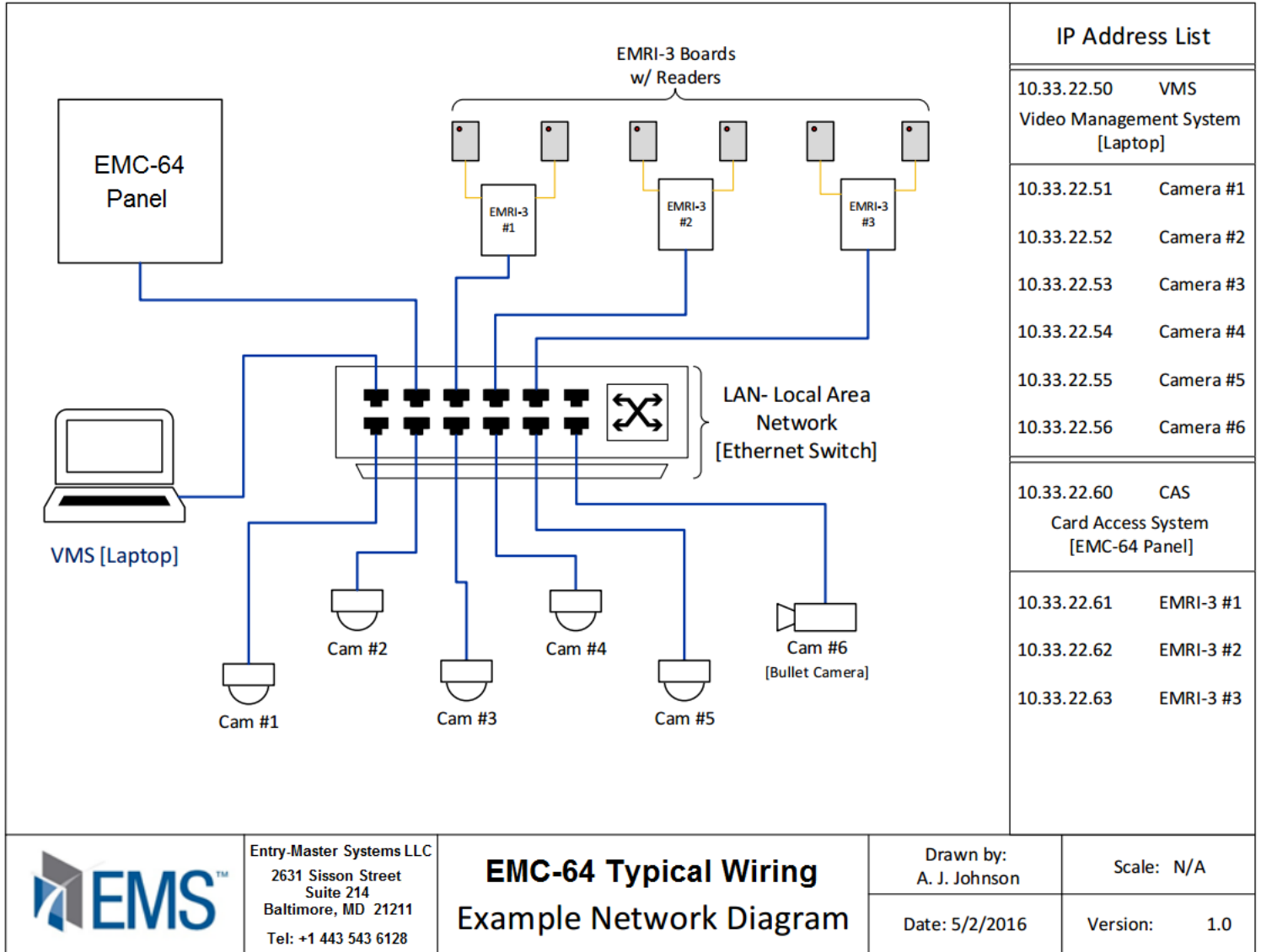
EMC-64 Electrical Specifications

- **Input Voltage:**
115/230V - AC 350W Peak Power
- **AC Input Frequency:**
47-63Hz
- **AC Input Current:**
6.3A (RMS) for 115VAC Input
3.15A (RMS) for 230VAC Input
- **Communications:**
Serial asynchronous RS-232 or RS-485
10/100Mbps Ethernet Interface (TCP/IP)
- **Connections:**
9-pin "D" type and 5mm Phoenix



System V Web-based Panel

EMC-64 Web-Controller Wiring Schematic



Entry-Master Systems LLC
 2631 Sisson Street
 Suite 214
 Baltimore, MD 21211
 Tel: +1 443 543 6128

EMC-64 Typical Wiring Example Network Diagram

Drawn by:
 A. J. Johnson

Scale: N/A

Date: 5/2/2016

Version: 1.0